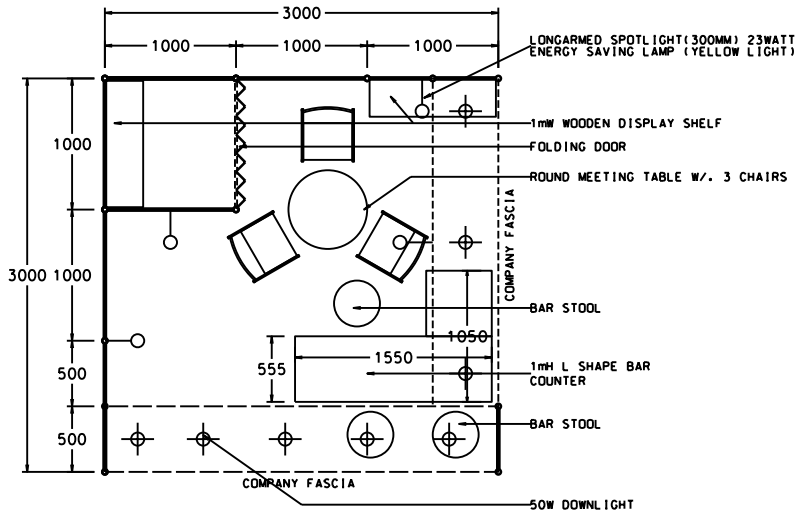


Hong Kong International Wine and Spirits Fair

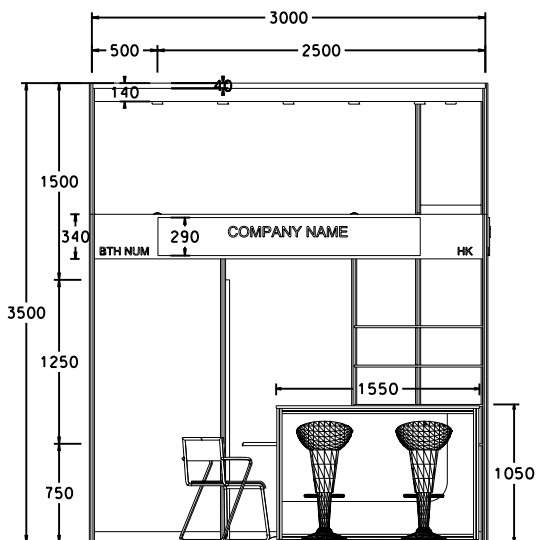
香港國際美酒展

3M x 3M Right Corner Booth (OPTION B)

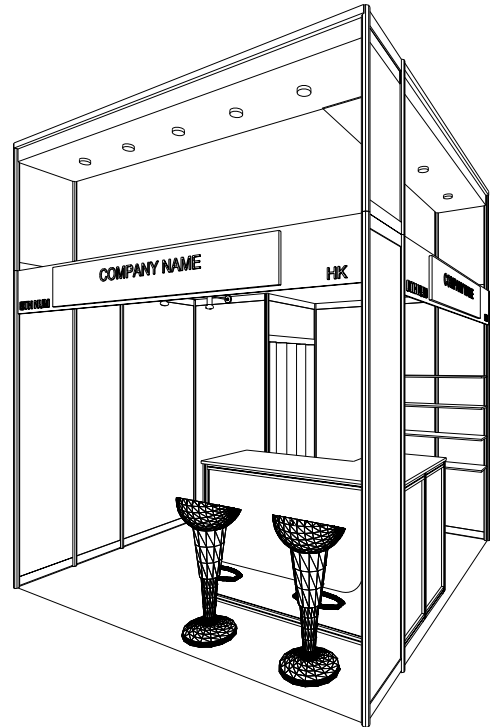
三米乘三米右邊角位攤位



PLAN



ELEVATION



PERSPECTIVE

BOOTH SPECIFICATIONS		QTY.
	L-SHAPE BAR COUNTER	1
	1000W x 300D WOODEN DISPLAY SHELF	6
	LONGARMED SPOTLIGHT (300MM) 23WATT ENERGY SAVING LAMP (YELLOW LIGHT)	4
	ROUND MEETING TABLE	1
	BAR STOOL	3
	BLACK LEATHER CHAIR	3
	RUBBISH BIN & CARPET (9sqm.)	